

Soft Start



Installation, Operation & Application Guide

For further information visit us at www.active-controlsllc.com



Important Safety Information



- Fully Insert all plugs.
- Keep away from children and pets.
- Do not repair or modify.
- For outdoor use only.
- Store indoors when not in use.

Features

- ✓ Starting current reduction (50%) and programable startup power.
- ✓ Mobile app is Bluetooth-enabled and compatible with iOS and Android devices.
- ✓ Built in Surge protection.
- ✓ Waterproof, UV-proof module resists weather extremes.
- ✓ Anti-theft design to easily secure to power source.
- ✓ Diagnostic LED indicators inside of box for technicians.

Application

The ACS30P (30amps), ACS20P (20amps) is intended for recreational vehicle (RV), residential, and commercial applications. The ACS30M (30amps) is an ActiveStart Marine version for boats. These devices will monitor system health including current, voltage, frequency, and programmable startup power.

SPECIFICATIONS

- **Inputs:** L1 & N.
- **Nominal Voltage:** 120 VAC, 50-60 Hz.
- **Over Voltage Limits:** 120 VAC nominal=140 VAC.
- **Under Voltage Limits:** 120 VAC nominal=100 VAC.
- **Surge Protection:** 2100 Joules.
- **Current:** Maximum nominal= 30 AMP.
- **Over Current Limits:**
ACS20P = 20A.

ACS30P = 30A.

ACS30M = 30A.

- **Operating Temperature:** -4°F to 176°F (-20°C to 80°C)
- **Storage Temperature:** -40°F to 149°F (-20°C to 65°C)
- **Humidity:** 5-95% Non-considering.
- **Weight:** 2.1 Lbs. (0.95kg).
- **Warranty:** One year limited warranty (standard)

Installation

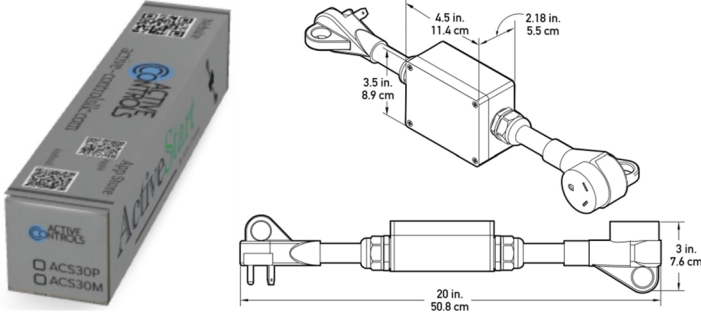
1. Plug unit into your most convenient power pedestal or generator.
2. Allow self-diagnostic function to determine correct polarity. If Input LED is green only, then the source power is ready to use.
3. After 45-60 seconds, the green Output LED will indicate when there is "live" power.
4. Plug the RV, residential, and/or boat power cord into the ActiveStart outlet.

If the green Output LED shuts off and power to the RV/house/boat is off, that indicates a Power Alert related to Current, Voltage or any other fault that has occurred. The Mobile App will show the cause of the shutdown.



Scan to see a full specification, installation, & more on our website

Dimensions



Performance

The ActiveStart is a unique device that is installed in series with the loads. This is quite different from a standard softstart that is wired directly to a motor and only has one function which is to start the motor.

The ActiveStart responds to an inductive load which generates a large spike in current and quickly current limits the device while initiating a softstart of the load. This is done without disturbing other appliances that are currently running on the same power source.

The Graphs below showcase this functionality:

Led Indicators

GREEN & RED LIGHT	MEANING
Green light on only (input)	Power source is correctly wired and safe to use.
Red light on only (input)	Hot/ground are reversed.
Green & red light on (input)	Generator power needs bonding plug. pedestal power is hot/neutral are reversed.
Green light on (output)	Successful power transfer.
30 Amp Input Plug Indicators / 30 Amp Output Indicator	

